

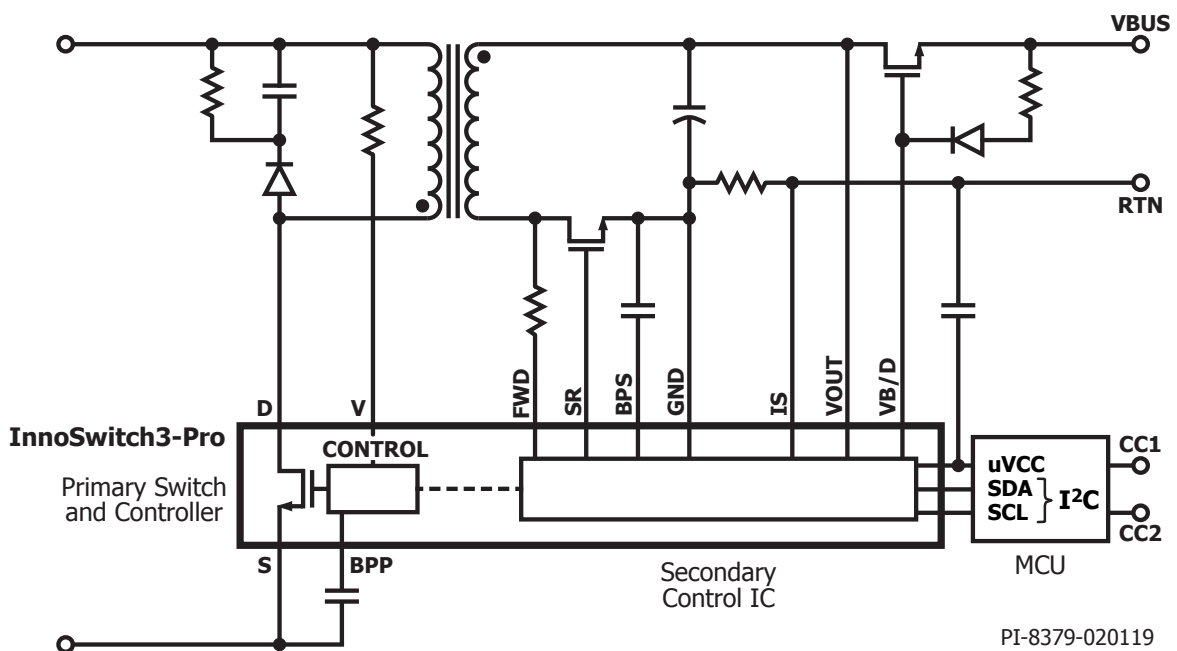
InnoSwitch™3-Pro



Key Features

- Dynamic voltage and current control
- Advanced flyback and SR controller
- Integrated FluxLink™ feedback
- Digitally controlled via I²C interface
- Comprehensive fault reporting

Off-Line CV/CC/CP Quasi-Resonant Flyback Switcher IC



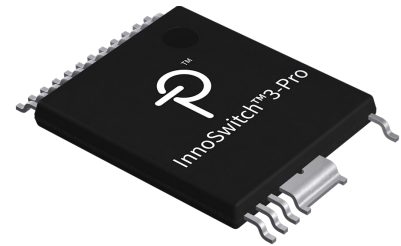
Applications

- High efficiency USB PD 3.0 + PPS/QC adapters
- Multi-chemistry tools and general-purpose battery chargers
- Multi-protocol adapters including QuickCharge™, AFC, FCP, SCP
- Adjustable CV and CC LED ballast designs
- Direct-charge mobile device chargers
- Configurable industrial power supplies

Output Power

Part Number	230 VAC ±15%		85–265 VAC	
	Adapter (W)	Open Frame (W)	Adapter (W)	Open Frame (W)
INN3365C/3375C	25	30	22	25
INN3366C/3376C	35	40	27	36
INN3377C	40	45	36	40
INN3367C	45	50	40	45
INN3368C	55	65	50	55
INN3378C	70	75	55	65
INN3379C	80	85	65	75
INN3370C	90	100	75	85

Note: 650 V MOSFET (INN336xC); 725 V MOSFET (INN337xC); 750 V PowiGaN™ Switch (INN3378C- INN3370C)



InSOP-24D Package

Design Support

- Data Sheet InnoSwitch3-Pro data sheet (www.power.com/innoswitch3-pro-data-sheet)
- Application Note InnoSwitch3-Pro programming manual (AN-74) (www.power.com/an-74)
- Design Example 100 W USB PD 3.0 with 3.3 V-21 V PPS Power Supply Using InnoSwitch3-Pro and VIA Labs VP302 Controller (DER-805) (www.power.com/der-805)