

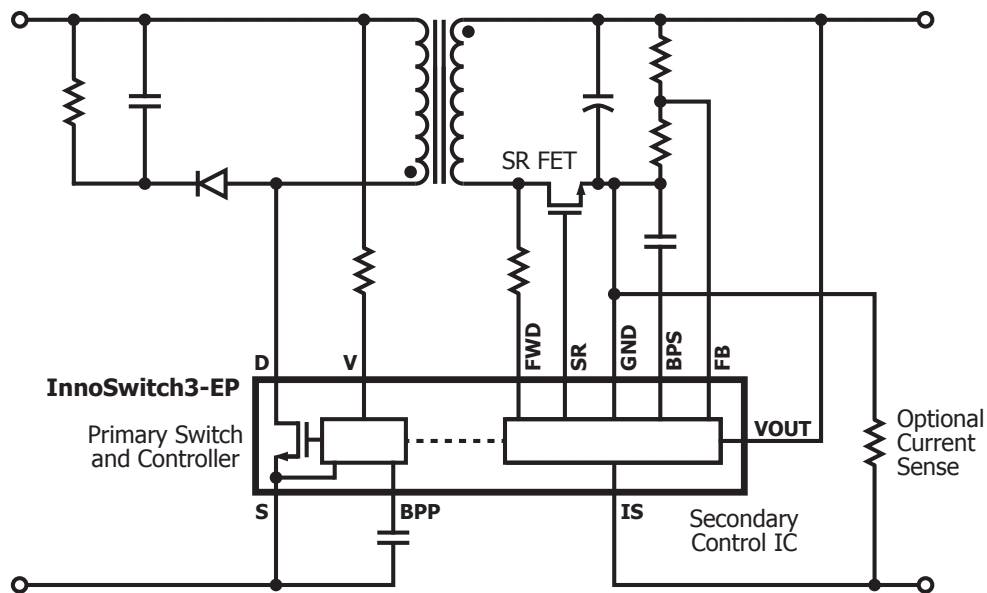
InnoSwitch™3-EP



Key Features

- Up to 94% efficient isolated flyback conversion
- Available with 725 V, 750 V, and robust 900 V primary switch
- Comprehensive protection features
- Excellent multi-output cross-regulation

Off-Line CV/CC Quasi-Resonant Flyback Switcher IC



PI-8184-072419

Applications

- Utility meter, smart grid and industrial power supplies
- Auxiliary, standby and bias power supplies

Output Power

Product	725 V MOSFET	
	230 VAC ± 15% Peak or Open Frame (W)	85-265 VAC Peak or Open Frame (W)
INN3672C	12	10
INN3673C	15	12
INN3674C	25	20
INN3675C	30	25
INN3676C	40	36
INN3677C	45	40

Product	900 V MOSFET	
	230 VAC ± 15% Peak or Open Frame (W)	85-265 VAC Peak or Open Frame (W)
INN3692C	12	10
INN3694C	25	20
INN3696C	35	30

Product	750 V PowiGaN™ Switch	
	230 VAC ± 15% Peak or Open Frame (W)	85-265 VAC Peak or Open Frame (W)
INN3679C	85	75
INN3670C	100	85



InSOP-24D Package

Design Support

- Data Sheet InnoSwitch3-EP data sheet (www.power.com/innoswitch3-ep-data-sheet)
- Design Example 65 W Power Supply Using InnoSwitch3-EP (DER-747) (www.power.com/der-747)