

InnoSwitch3-MX and InnoMux Chipset

QR Flyback with Regulated Output Voltage and Dimmable 4 Channel LED Backlight Driver

Chipset Highlights

- Completely eliminates backlight boost converter and up to 2 buck converters
- 50% reduction in system power conversion losses
 - Elimination of losses from Buck and LED backlight boost converters
 - Up to 91% efficiency
- InnoSwitch3-MX QR flyback IC
- InnoMux CV and dimmable LED backlight

Applications

- Energy Star 8 and CEC for monitors and TVs

Reflow
Chipset

Wave Solder
Chipset

Figure 2. Left – InnoSwitch3-MX + InnoMux in QFN-28.
Right – InnoSwitch3-MX + InnoMux in HSOP-28.

Figure 1. Simplified Schematic for Monitor / TV Application.

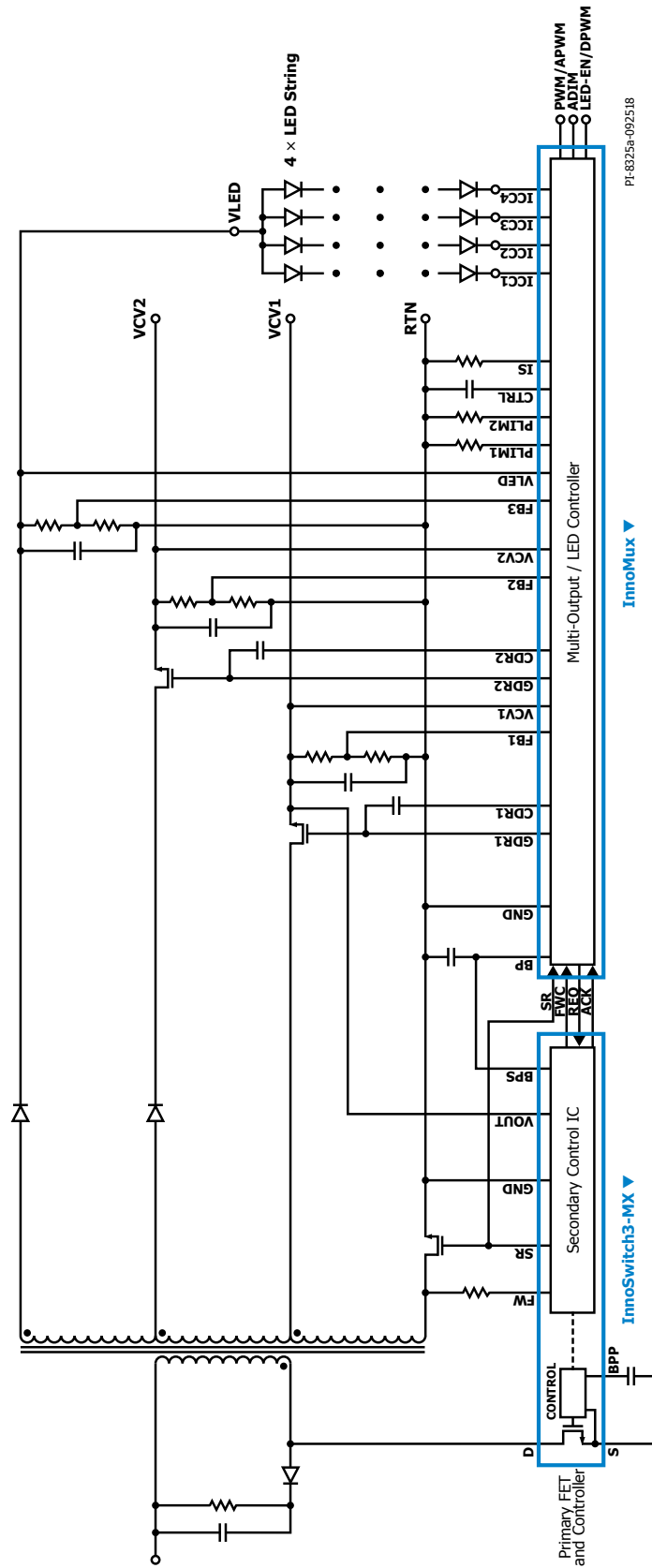


Figure 3. Typical Schematic for Two Constant Voltage Outputs and 4-Channel Constant Current Outputs.