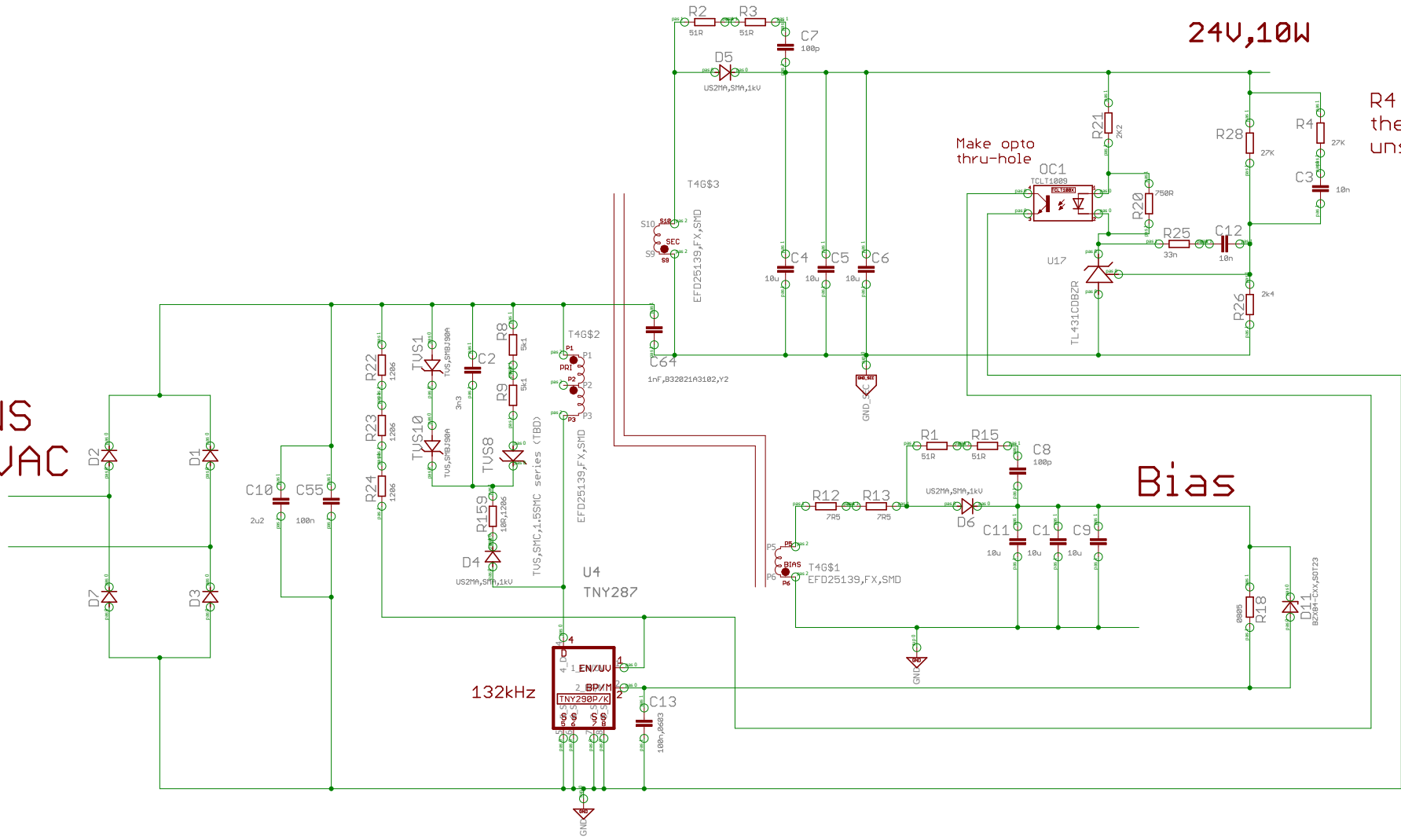


MAINS
240VAC



24V,10W

R4 and C3 prevents
the output going
unstable.

Make opto
thru-hole

Bias

132kHz