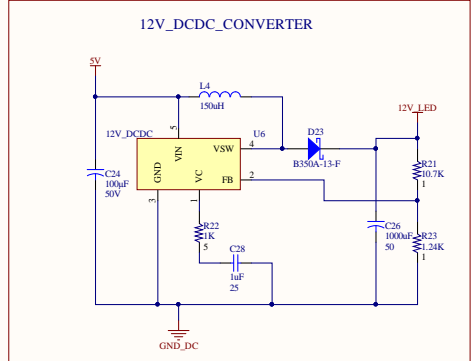
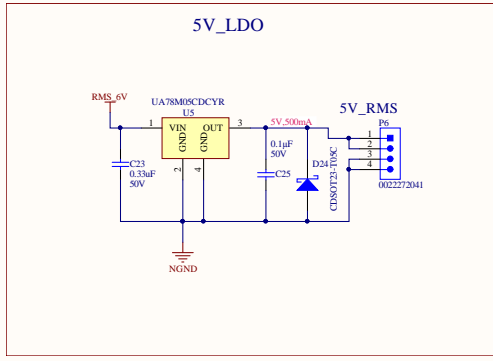
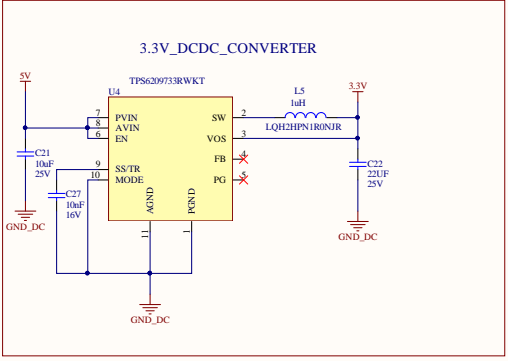
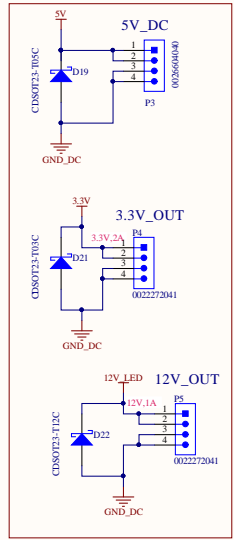


**Layout Guidelines :**

- 1) This 5v track need to carry 10A of current
- 2) Need to provide heatsink for U3 & Q1

Initially inductor L3, L4 and capacitor C31 and C40 will be DNP later on depend upon ripple we will add it

**Layout Guidelines :**



Project :	*
Title :	*
Site :	*
Date :	11/3/2017
Approved By :	Dwan By : *