

Undervoltage With Wide Hysteresis

Application	Device	Power Output	Input Voltage	Output Voltage	Topology
PoE/VoIP	DPA423GN	-	34 – 57 VDC	-	-

Design Highlights

- High hysteresis undervoltage lockout for Power over Ethernet (PoE) Powered Devices (PDs)
- Turn-on threshold of 42 VDC and turn-off threshold of 34 VDC
- Compliance to PoE standard (IEEE 802.3af) over complete voltage window ensures compatibility with PSE equipment. Tested by University of New Hampshire Interoperability Consortium (UNH-IOC)*

Wide Hysteresis Undervoltage

The default undervoltage lockout and overvoltage shutdown thresholds of the DPA-Switch are programmed with a single resistor (R_{LS}) connected from the positive input voltage to the L-pin. The default overvoltage and undervoltage thresholds have a fixed ratio (ratio approximately 2.7:1).

In a PoE system, the Power Sourcing Equipment (PSE) provides a minimum operating voltage of 44 VDC. However, the PoE specification allows CAT-5 (Ethernet) cable lengths up to 100 meters/ 300 ft (with up to 20 Ω of cable impedance). At peak operating current (350 mA), the voltage at the PD can drop to approximately 37 VDC (350 mA \times 20 Ω). A minimum of 7 VDC undervoltage hysteresis is required to accommodate the cable drop voltage and prevent nuisance lockouts from occurring.

Operation

This circuit takes advantage of accurate DPA-Switch L-pin current sensing as the basis for a new composite threshold, programmed for 42 VDC turn-on and 34 VDC turn-off. The DPA-Switch detects the input voltage via current in the L-pin resistor R_{LS} . Above an UV-on threshold (50 μ A), the DPA-Switch begins switching and below an UV-off threshold (47 μ A), the DPA-Switch is disabled. Transistor Q1 is turned on via bias resistor R2, causing a voltage drop across R3 and subtracting a fixed current of approximately 10 μ A (moving the effective threshold to 60 μ A) from the L-pin. When the power supply becomes operational, the bias voltage pulls up via R1, turning off Q1, cutting off the R3 current and returning to the default UV-off threshold (47 μ A).

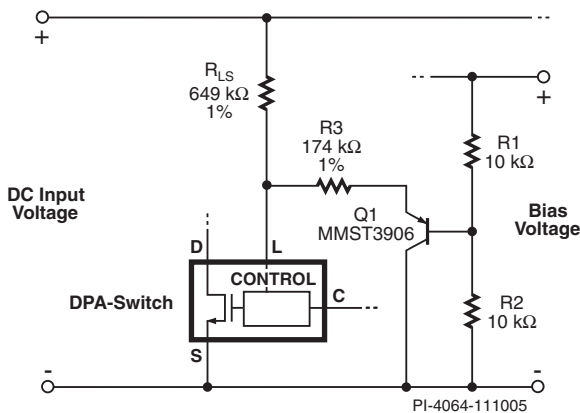


Figure 1. DPA-Switch With Wide Hysteresis UVLO.

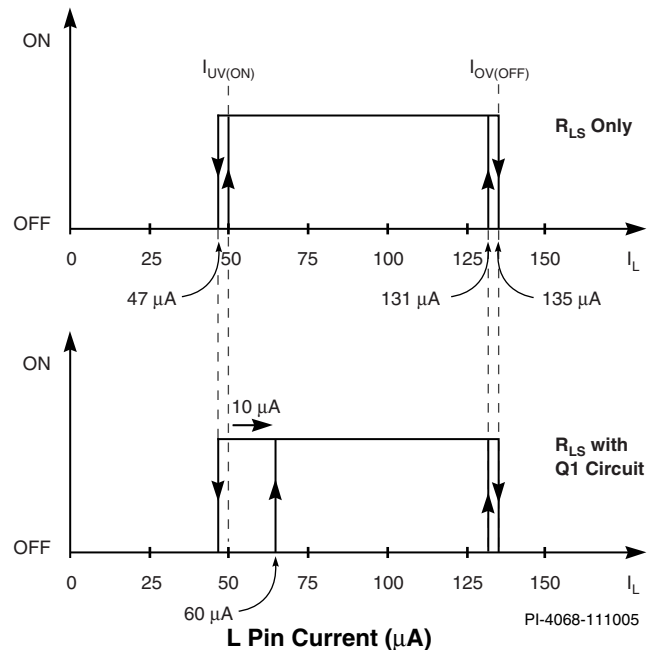


Figure 2. L-Pin Current Without/With Wide UVLO Circuit.

*UNH-IOC test reports are available on the PI website www.powerint.com/poe

Design Formulae

Component values can be calculated according to the following formulae and parameters:

Design parameters were selected as follows:

$V_{UV_ON} = 42$ VDC	Input under-voltage on-threshold
$V_{UV_OFF} = 34$ VDC	Default under-voltage off-threshold
$V_{DIN} = 1.4$ VDC	Diode drop for PoE reverse protection input diodes
$R1 = 10$ k Ω	This value is assumed

From the DPA-Switch data sheet we have the following:

$I_{UV_ON} = 50$ μ A	L-pin current for UV turn on
$I_{UV_OFF} = 47$ μ A	L-pin current for UV turn off
$V_L = 2.35$ VDC	L-pin voltage at $I_L = I_{UV_ON}$
$V_C = 5.8$ VDC	Control-pin voltage

We can assume:

$V_{Q1(BE)} = 0.6$ VDC	Transistor base-emitter voltage
$V_{Q1(BE)REV} < 4$ VDC	80% of the max reverse base-emitter voltage
$\beta = 100$	Transistor minimum current gain

Bias Voltage (V_{BIAS}) = 8 VDC

Resistor values R_{LS} , $R2$ and $R3$ are calculated as follows:

$$R_{LS} = \frac{V_{UV_OFF} - V_L - V_{DIN}}{I_{UV_OFF}}$$

$$R_3 = \frac{(V_L - V_{Q1(BE)}) \times R_{LS}}{V_{UV_ON} - I_{UV_ON} \times R_{LS} - V_L - V_{DIN}}$$

$$R_2 < \frac{R_1 \times (V_{Q1(BE)REV} + V_L)}{V_{BIAS} - V_L - V_{Q1(BE)REV}}$$

For design verification:

$$V_{UV_ON} = \left(I_{UV_ON} + \frac{V_L - V_{Q1(BE)}}{R_3} \right) \times R_{LS} + V_L + V_{DIN}$$

$$V_{UV_OFF} = I_{UV_OFF} \times R_{LS} + V_L + V_{DIN}$$

$$V_{OV_OFF} = I_{OV_OFF} \times R_{LS} + V_L + V_{DIN}$$

$$V_{Q1(BE)REV} = \frac{V_{BIAS} \times R_2}{R_1 + R_2} - V_L$$

Key Design Points

- Use a 1% resistor for R_{LS} to maintain the highest accuracy for the turn-on/turn-off thresholds.
- The over-voltage threshold is fixed at $I_{OV_OFF} = 135$ μ A, and can be calculated according to the formula above (V_{OV_OFF}).
- The bias voltage (V_{BIAS}) is divided by $R2$ and $R1$. The reverse base emitter voltage $V_{Q1(BE)REV}$ is the divided bias voltage minus V_L . Make sure $V_{Q1(BE)REV}$ stays below 5 V (the transistor rating).
- For PoE applications, make sure to include voltage drops of input diodes (V_{DIN}) and pass-FET drop when calculating R_{LS} . For non-PoE applications, assume $V_{DIN} = 0$.
- Note: Due to the L-pin synchronization function (with a 1 V threshold), resistor $R2$ should be sufficiently large to prevent Q1 turn-on below L-pin voltage 1 V.

Power Integrations
5245 Hellyer Avenue
San Jose, CA 95138, USA.
Main: +1 408-414-9200
Customer Service
Phone: +1-408-414-9665
Fax: +1-408-414-9765
Email: usasales@powerint.com

On the Web
www.powerint.com

C
03/08

Power Integrations reserves the right to make changes to its products at any time to improve reliability or manufacturability. Power Integrations does not assume any liability arising from the use of any device or circuit described herein. POWER INTEGRATIONS MAKES NO WARRANTY HEREIN AND SPECIFICALLY DISCLAIMS ALL WARRANTIES INCLUDING, WITHOUT LIMITATION, THE IMPLIED WARRANTIES OF MERCHANTABILITY, FITNESS FOR A PARTICULAR PURPOSE, AND NON-INFRINGEMENT OF THIRD PARTY RIGHTS. The products and applications illustrated herein (transformer construction and circuits external to the products) may be covered by one or more U.S. and foreign patents or potentially by pending U.S. and foreign patent applications assigned to Power Integrations. A complete list of Power Integrations' patents may be found at www.powerint.com. Power Integrations grants its customers a license under certain patent rights as set forth at <http://www.powerint.com/ip.htm>.

The PI logo, TOPSwitch, TinySwitch, LinkSwitch, DPA-Switch, PeakSwitch, EcoSmart, Clampless, E-Shield, Filterfuse, StackFET, PI Expert and PI FACTS are trademarks of Power Integrations, Inc. Other trademarks are property of their respective companies. ©2005, Power Integrations, Inc.