

Inductive Charging Circuit for Operational Power

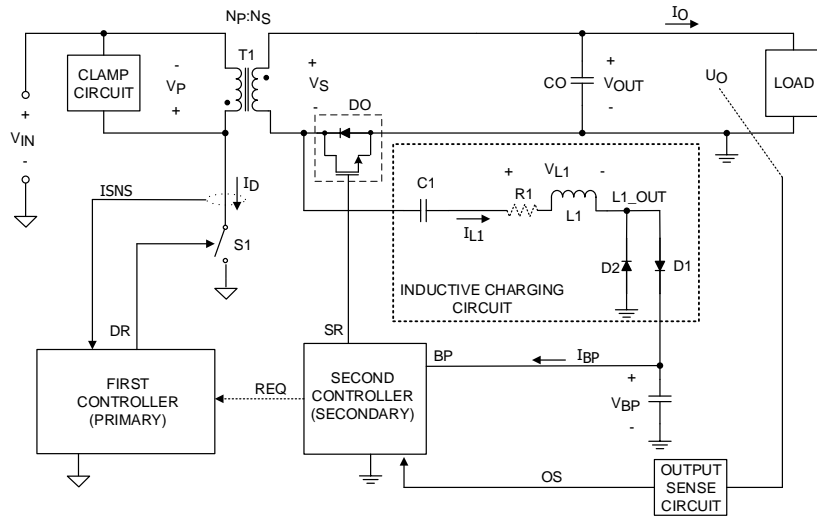


Figure 2. Inductive charging circuit (C1, L1, D1) for providing operational power to a secondary controller from the switching voltage of an output winding. C1 is a dc blocking capacitor. Diode D2 provides a reset path.

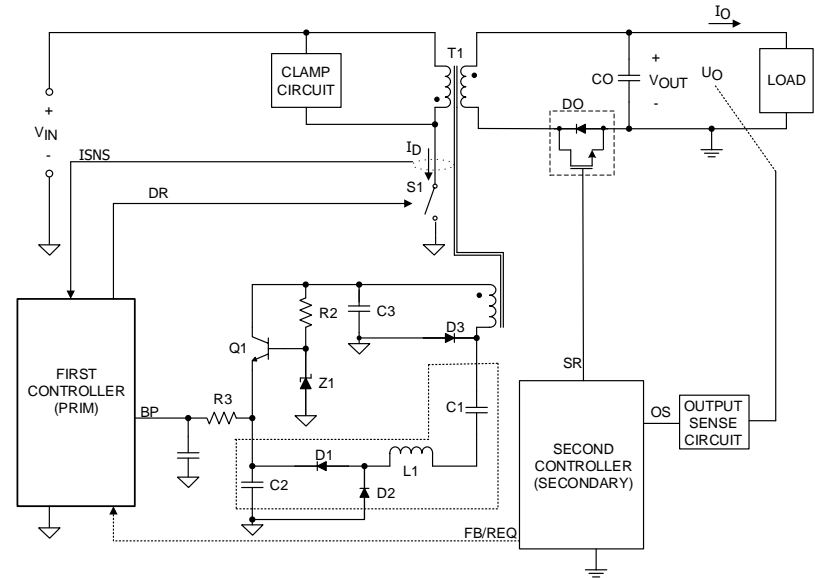


Figure 3. Inductive charging circuit (C1, L1, D1) for providing operational power to a primary controller from the switching voltage of a bias winding. C1 is a dc blocking capacitor. Diode D2 provides a reset path. Capacitor C2 turns transistor Q1 on or off.