

HiSide™ Configurations

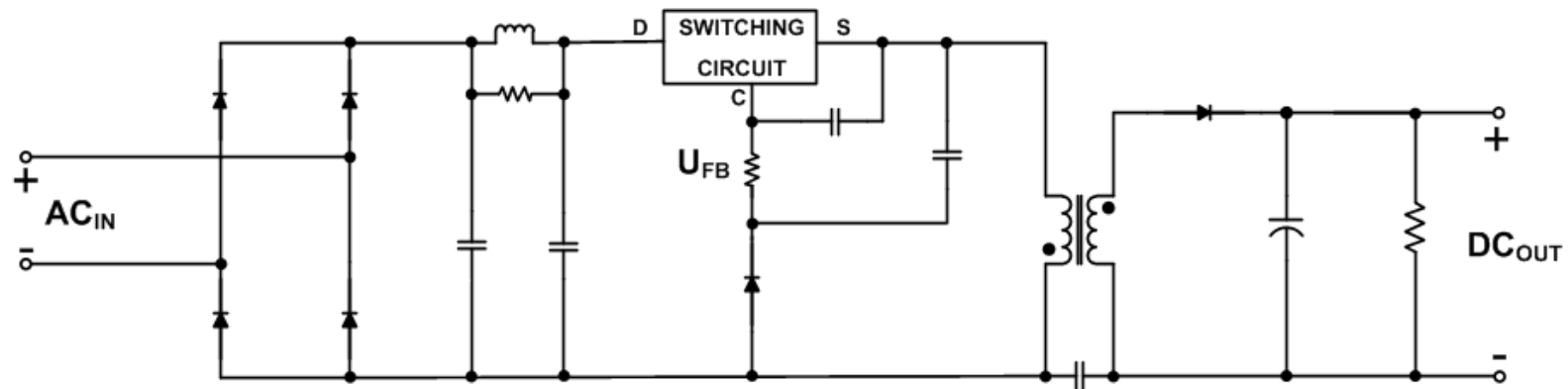


Figure 1. A flyback converter with a high side configuration where a feedback voltage is derived from the main winding

■ Description

- ▶ A high side topology that derives a signal representative of the output through the main transformer windings

■ Benefits

- ▶ Eliminates additional windings used to derive a feedback signal
- ▶ Reduces component count
- ▶ **Could be used in:** Low power applications

HiSide™ Configurations

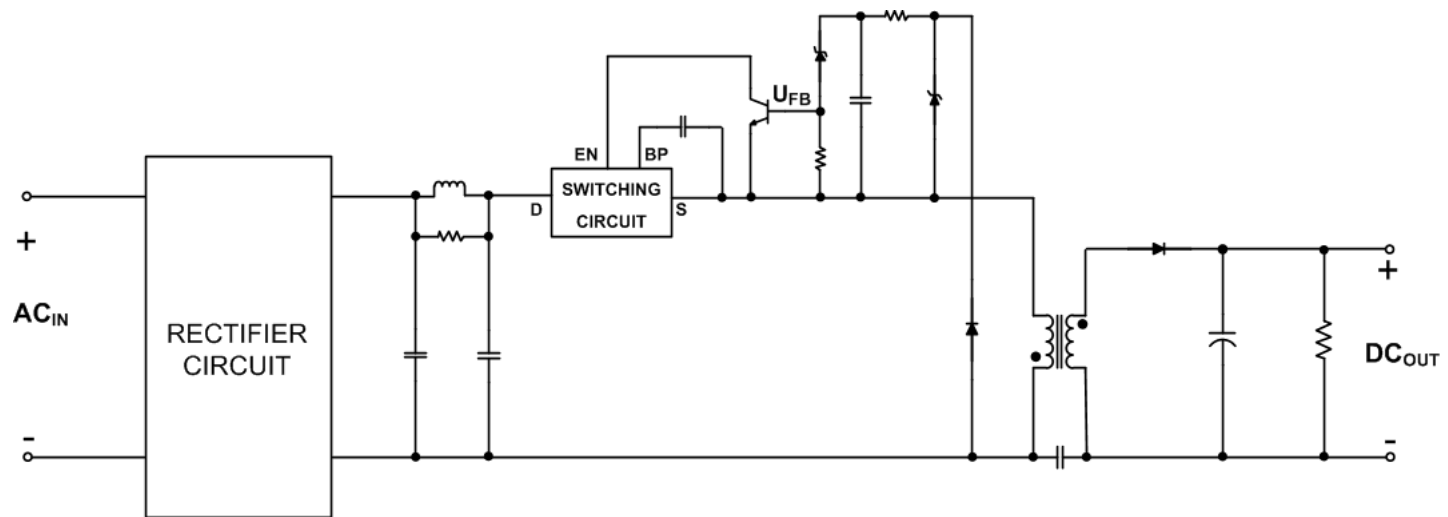


Figure 2. A flyback converter with a high side configuration where a feedback current is derived from the main transformer winding

HiSide™ Configurations

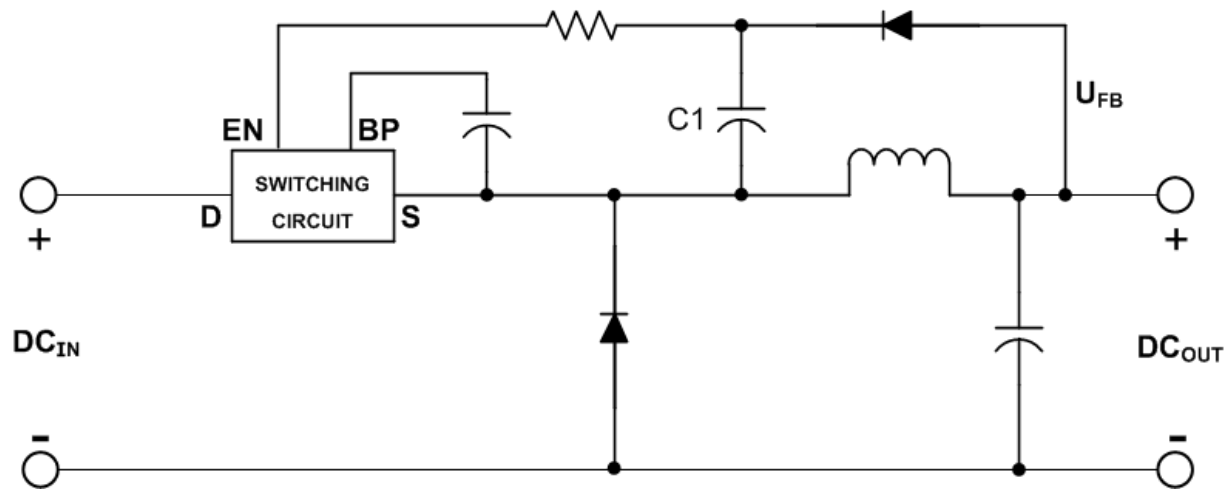


Figure 3. Non isolated buck converter with a high side configuration